

# Photo Conductor Unit Type 5000

(Code: G780)

For Machine Code: G071

MAINTENANCE GUIDE

## Preparation

For a safe operation, read "Safety Information" in Maintenance Guide 1.

### WARNING:

- **Do not incinerate spilled toner or used toner. Toner dust is flammable and might ignite when exposed to an open flame. Disposal should take place at an authorized dealer or an appropriate collection site. If you dispose of the used toner cartridges yourself, dispose of them according to local regulations.**

### CAUTION:

- *The inside of the machine becomes very hot. Do not touch the parts with a label indicating "⚠" (means hot surface). Touching "⚠" (means hot surface) could result in a burn.*
- *When replacing the photoconductor unit, hold the handles in beige and green, and then lift it slowly. Lifting it in an inappropriate manner or handling it carelessly may cause the unit to drop and result in an injury.*
- *Do not put an object on the front cover when it is open.*

Replace all of the dustproof filters (A) and (B) and the photoconductor unit when the following message appears on the panel display.

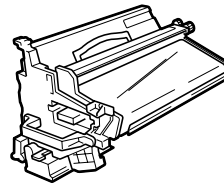
Replace PCU

### Note

- When replacing the photoconductor unit, replace the dustproof filters (A) and (B) as well.
- Replace the dustproof filters before replacing the photoconductor unit.

Check the contents of the box for the following items:

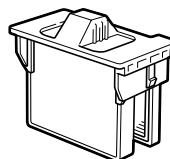
#### ❖ Photoconductor Unit



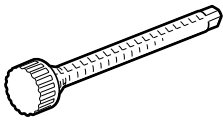
#### ❖ Dustproof Filter (A)



#### ❖ Dustproof Filter (B)



❖ **Screwdriver**

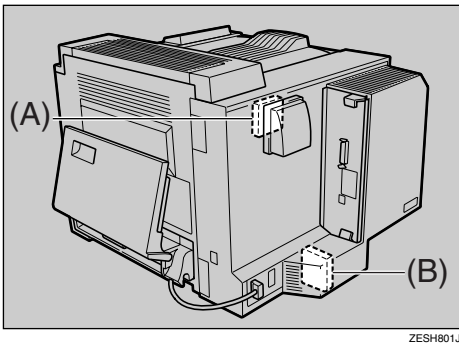


❖ **Maintenance Guide (This manual)**

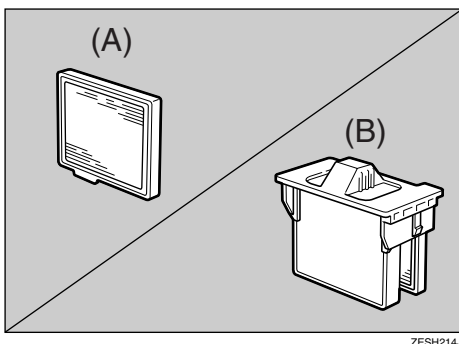
## Replacing the dustproof filters

 **Note**

- ❑ The dustproof filters (A) and (B) are attached to the back of the printer as shown in the illustration.



- 1** Turn off the printer power.
- 2** Take out the new dustproof filters (A) and (B) from the package.

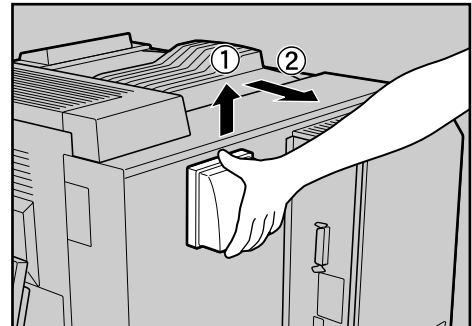


The dustproof filter (B) is a cartridge that also contains an ozone-proof filter.

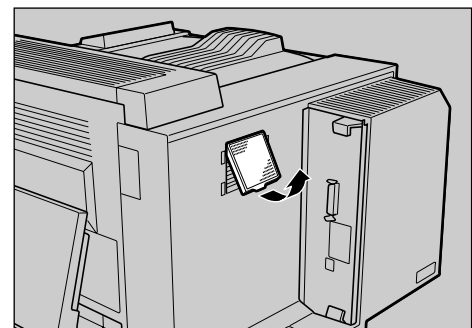
The bag that new filters came in will be used to dispose the used filters.

**3** Replace the dustproof filter (A).

- 1** Lift the dustproof filter cover by holding the bottom of it (1) to remove it (2).



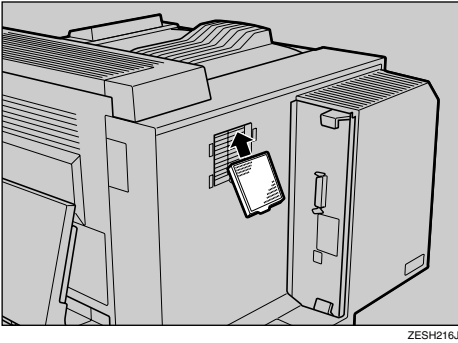
- 2** Remove the dustproof filter slowly by holding the tab on the bottom, and then put it in the bag that the new filter came in.



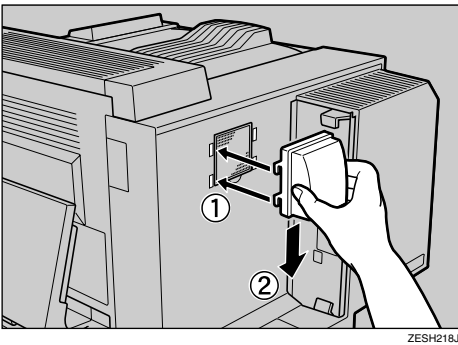
 **Important**

- ❑ Do not shake the removed dustproof filter. It may cause dust to fall off.

- ③ Set the new dustproof filter with the tab facing down.



- ④ Set the dustproof filter cover that you removed in step ①. Insert the projections in the holes (①), and then push downwards (②).

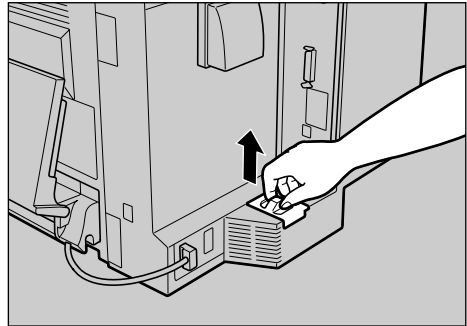


- ④ Replace the dustproof filter (B).

**Note**

- The dustproof filter (B) is a cartridge that contains the filters and the cover all in one.

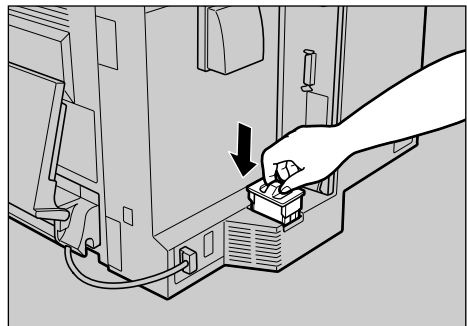
- ① Pull out the cartridge by holding the handle of the cover, and then put it in the bag that the new cartridge came in.



**Important**

- Do not shake the removed cartridge. It may cause dust to fall off.

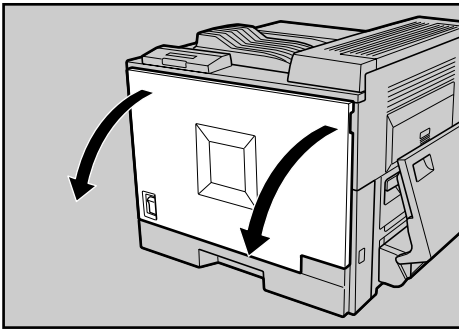
- ② Set the new cartridge.



In the next step, replace the photoconductor unit.

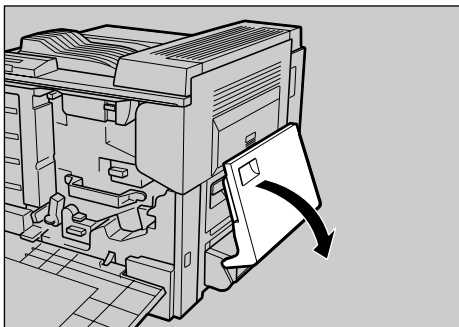
## Replacing the Photoconductor Unit

- 1 Open the front cover slowly by pulling down from the two areas on the left and right.



ZESH400J

- 2 Open the Bypass Tray.

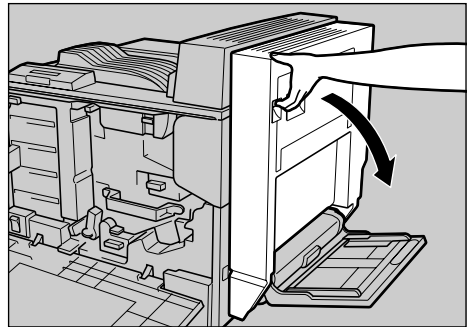


ZESH047J

### Note

- Remove the paper on the Bypass Tray to prevent them from falling.

- 3 If the Duplex Unit is installed, open the unit by pushing the catch upwards.

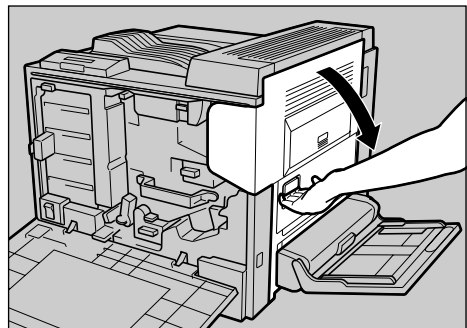


ZESH048J

### Note

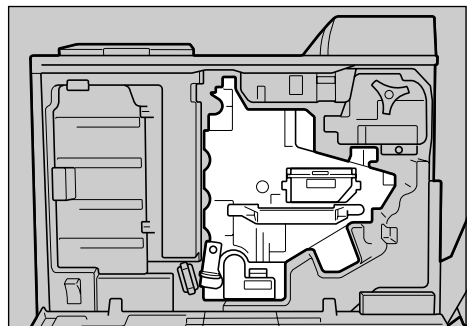
- Remove the paper on the Bypass Tray to prevent them from falling.

- 4 Open the right cover of the printer by pushing up the handle in order to remove the screws on the photoconductor unit.



ZESH208J

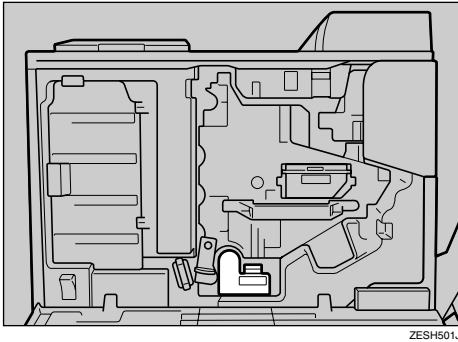
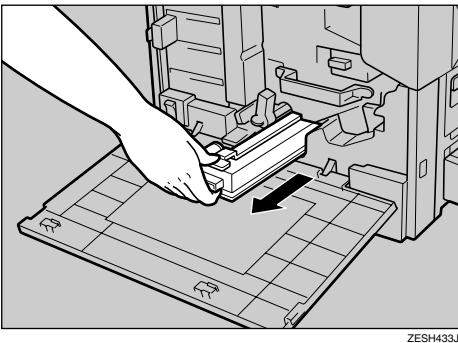
The photoconductor unit is installed as shown in the illustration.



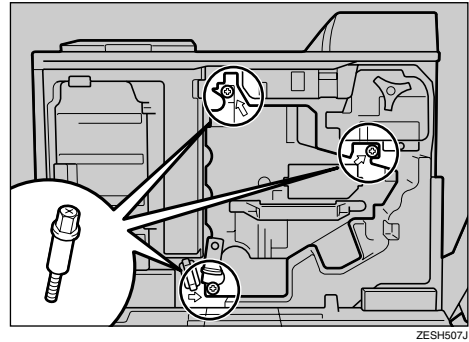
ZESH407J

**5** Remove waste toner bottle 1.

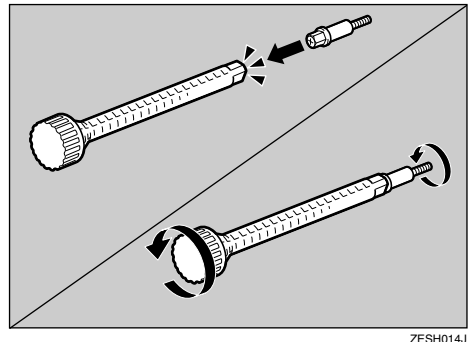
Waste toner bottle 1 is installed as shown in the illustration.

**1** Pull out waste toner bottle 1.**Important**

- Be sure to remove the waste toner bottle in a level manner.

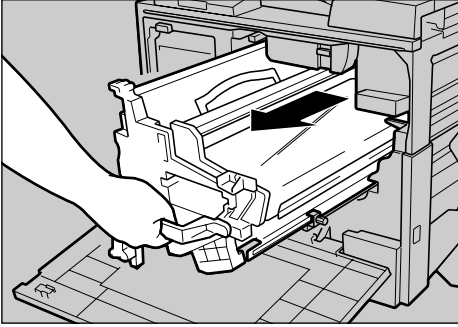
**6** Take out the screwdriver that came with the photoconductor unit.**7** Remove the three screws indicated in green (▲) using the screwdriver.**Note**

- To prevent screws from falling down, press the screwdriver onto the screw until it clicks into place.



- You need the three screws afterwards.

- 8** Hold the beige handle of the photoconductor unit, and then slowly pull it out halfway until the green handle on the top of the unit appears.

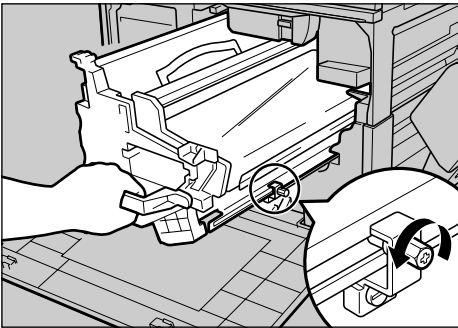


ZESH015J

**Important**

- Do not pull out the unit forcefully.

- 9** By holding the beige handle of the photoconductor unit, release the screw shown in the illustration, and then release the stopper.

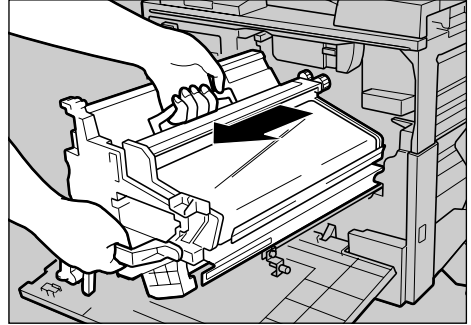


ZESH662J

**Note**

- The screw cannot be detached.

- 10** By holding the beige handle of the photoconductor unit, hold the green handle on the top of the unit as shown in the illustration, and then pull the unit slowly until it stops.

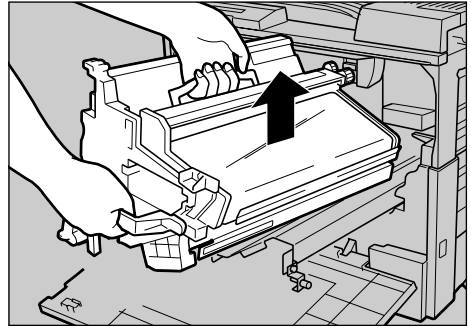


ZESH016J

**Note**

- Do not touch any areas other than the handles.

- 11** Remove the photoconductor unit by lifting it slowly.

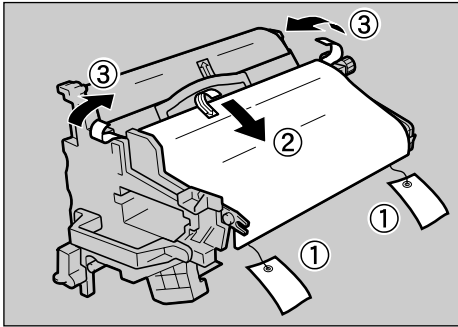


ZESH508J

**Important**

- Do not tilt or turn over the removed photoconductor unit. It may cause toner to leak.

- 12** Take out a new photoconductor unit from the box, and then remove the two stoppers by holding the red tags (①), the covering lightproof paper (②) and the tapes (③).



ZESH045J

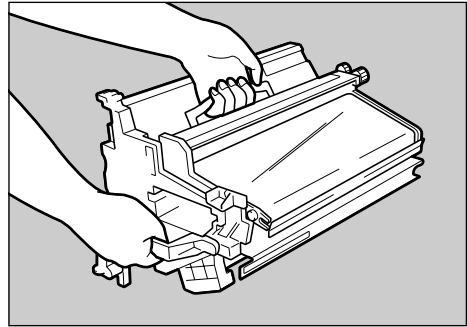
### ⚠ Important

- Keep the film from dust or scratch as it may lower printing quality.
- Do not leave the photoconductor unit without the covering lightproof paper for a long time. The unit is light sensitive. Replacement of the unit must be done quickly.

### 📌 Note

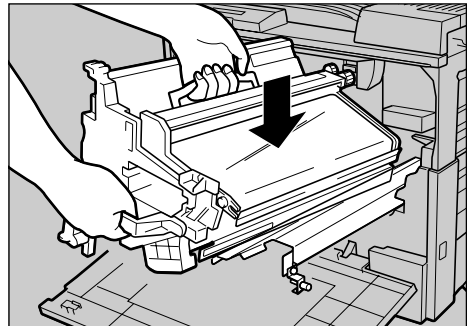
- Remove the lightproof paper in the front only. The lightproof paper in the back will be removed in step 17.

- 13** Hold the new photoconductor unit with both hands as shown in the illustration.



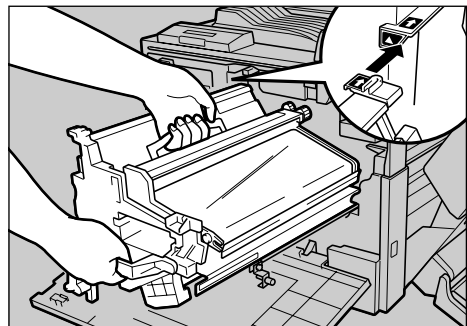
ZESH408J

- 14** Place the photoconductor unit slowly on the rail.



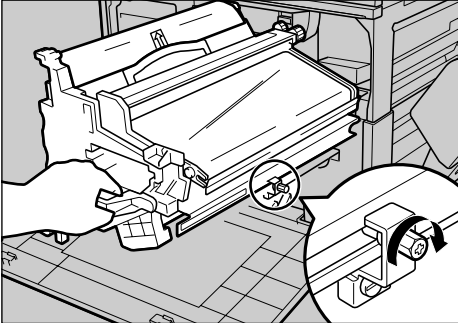
ZESH511J

- 15** Set the photoconductor unit by placing it on the guide with a label (Δ). Matching the arrow on the unit and the label makes it easy to place the unit on the guide.

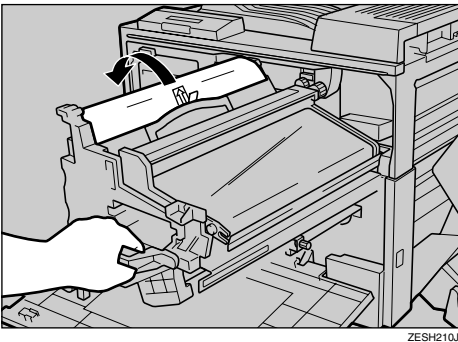


ZESH211J

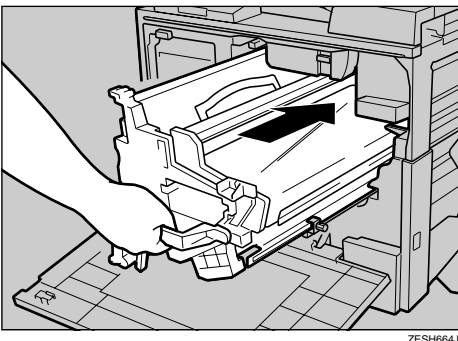
- 16** By holding the beige handle of the photoconductor unit as shown in the illustration, tighten the screw that you released in step 9 to tighten the stopper.



- 17** Remove the lightproof paper in the back.



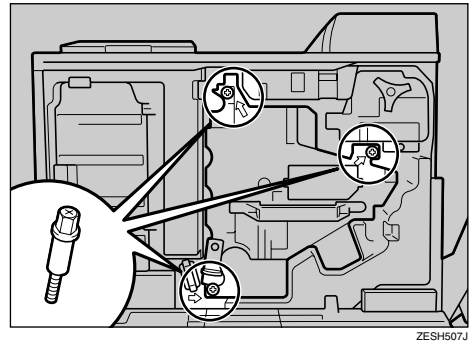
- 18** By holding the beige handle of the photoconductor unit, insert the unit slowly until it stops.



### **Important**

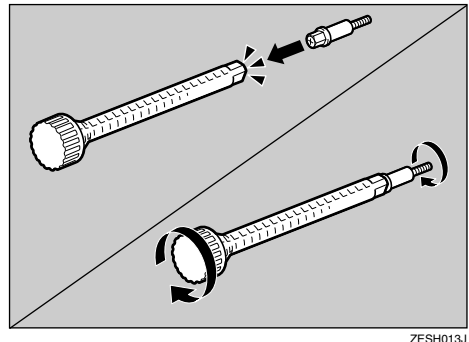
- Do not push the photoconductor unit forcefully as it may damage the interior of the printer and cause a malfunction.

- 19** Lock the photoconductor unit in the positions indicated in green (▲) by fastening the three screws that you removed in step 7.



### **Note**

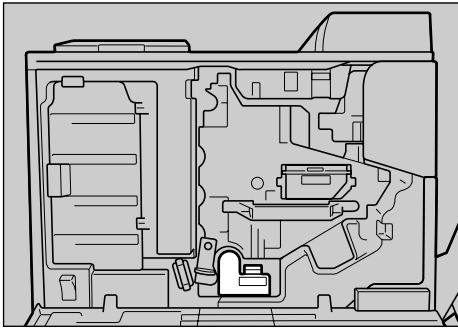
- To prevent screws from falling down, press the screwdriver onto the screw until it clicks into place.



- 20** Set waste toner bottle 1 that you removed in step 5.

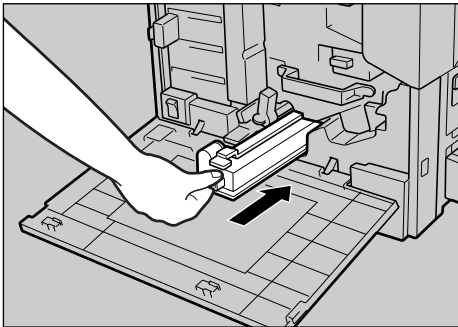


Set waste toner bottle 1 to the place shown in the illustration.



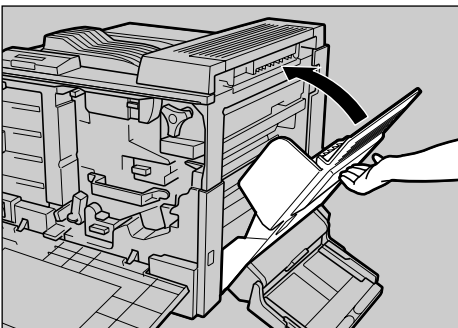
ZESH501J

**1** Set waste toner bottle 1.



ZESH434J

**21** Close the right cover of the printer.

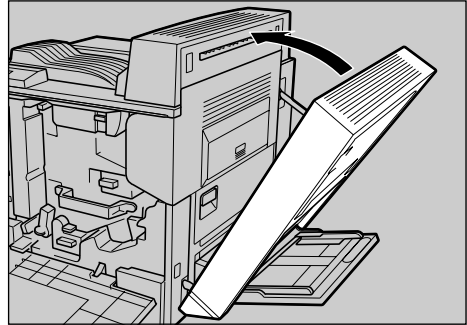


ZESH010J

**Note**

- Press "PUSH" to close the cover firmly.

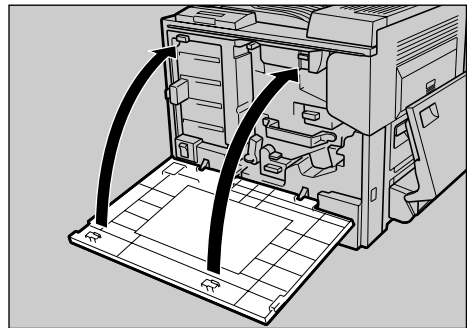
**22** If the Duplex Unit is installed, close it.



ZESH405J

**23** Close the Bypass Tray.

**24** Close the front cover slowly by pushing the two areas on the left and right.



ZESH406J

**25** Turn on the power switch.

The following message appears on the panel display. The printer starts calibration. Please wait until it stops.

Calibrating...

---

**Important**

- ❑ Do not turn off the power switch while calibration to avoid a printer malfunction.
- ❑ When one of the following messages appears on the panel display, waste toner bottle 1 may not be installed properly. Go back to step 5 to remove waste toner bottle 1, and then go to step 20 to set them properly.

Reset Waste  
Toner1 Correctly

Reset PCU  
Correctly

- ❑ If the photoconductor unit is not installed properly, reinstall from step 1. If you cannot install it properly even after reinstallation, contact your sales or service representative.